

Top 10 Reasons to Upgrade to PTC Creo® Elements/Direct® 19.0

PTC Creo Elements/Direct 19.0 continues to support our customers by allowing them to develop designs faster and complete everyday tasks quicker. This allows product development teams to spend more time on high value activities, promoting greater innovation and higher quality.

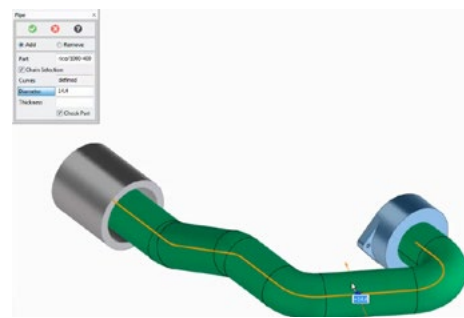
This release delivers productivity enhancements in the core areas of modeling, drafting, and data management. These enhancements are complemented by greater interoperability with PTC Creo and other non-PTC CAD systems, supporting enhanced multi-CAD collaboration — a key aspect of the modern product development process.

Additionally, expanded platform support reaffirms our continued commitment to our PTC Creo Elements/Direct customers, ensuring that customers can take advantage of the most modern operating systems.

Here are the top 10 reasons to upgrade to PTC Creo Elements/Direct 19.0 today:

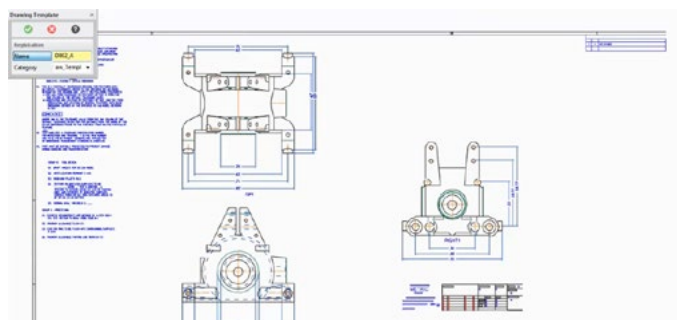
1. Optimized 3D design workflows

Extensions to the Align command, as well as new commands for fast Pipe/Hose and Rib creation, intuitively leverage 2D/3D edges to increase design efficiency.



2. New template-based drawing creation concept

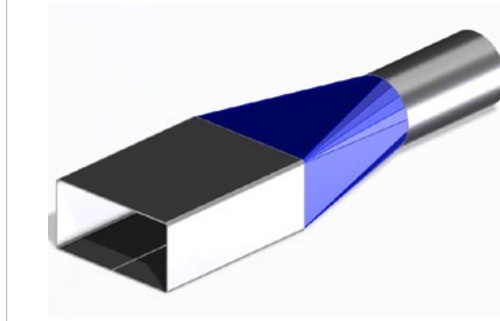
A new template-based drawing creation concept allows users to leverage existing drawings as template reference for a new drawing, thus saving many repetitive interaction steps.





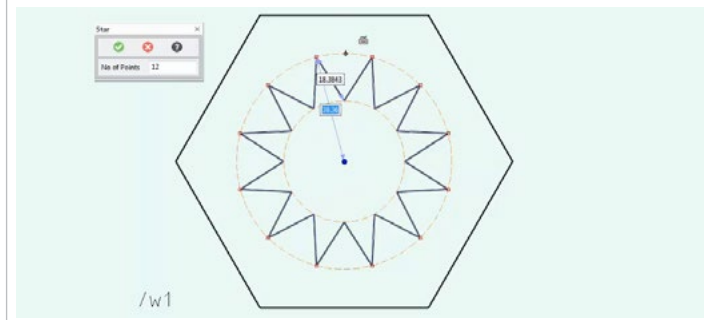
3. New Connect tool to create sheet metal connecting parts

New capabilities in the sheet metal module allow the creation of fully valid, un-foldable sheet metal parts that represent a transition between two parallel profiles. For example, sheet metal parts that connect square to round profiles can now be created in an easy and intuitive way with only a few button clicks.



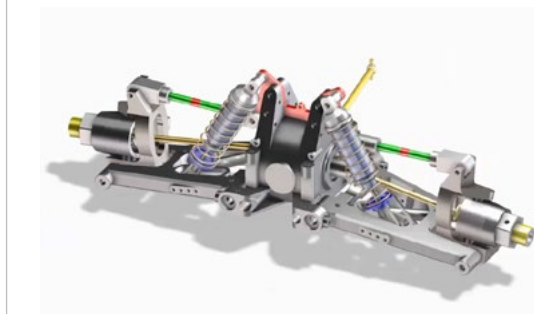
4. Easier concept design

Concept design becomes easier in 2D with image import onto work planes, and palettes supporting quick creation of pre-defined 2D shapes. To ease 3D concept design, a new 'pull edges' command and new tools for 3D curves (e.g., 3D bridge curve, 3D conical curve) can serve as basis for complex surfaces.



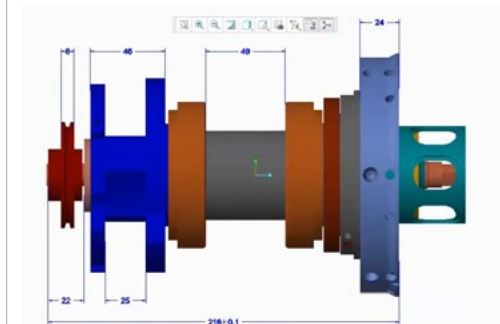
5. Configuration extension

Configuration extensions now allow users to copy and merge sub-level configurations to a higher-level assembly and to leverage transformations information when adding new components to the configuration in an optimized and streamlined workflow.



6. Enhanced multi-CAD collaboration

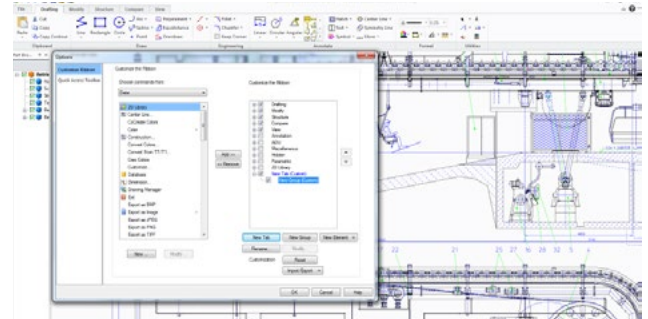
Import of native SolidWorks® (.sldprt, .sldasm) and Autodesk® Inventor™ files (.ipt, .iam) and enhanced data upwards compatibility with PTC Creo improves multi-CAD collaboration for every modeling user out-of-the-box (semantic PMI information, MI drawings, cross section information).





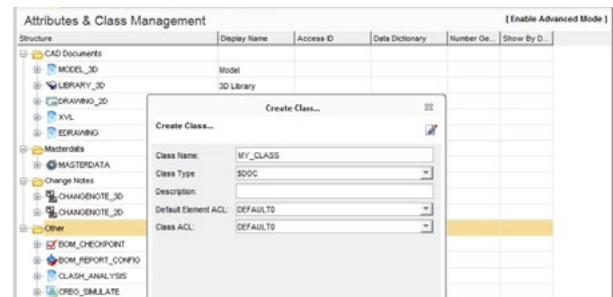
7. Increased ribbon UI customization flexibility

PTC Creo Elements/Direct Drafting 19.0 offers new capabilities and flexibility for partners and CAD administrators to integrate customizations or applications into the Ribbon UI for end users.



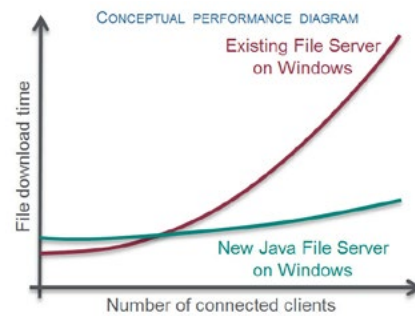
8. New admin capabilities in the Model Manager client

Completion of the initiative started in Model Manager 18.1 to provide frequently used administrator commands that were previously only available through the Manager Server Client.



9. Faster file download on Windows® for large Model Manager deployments

A new Java File Server implementation on Windows provides greater scalability with faster file downloads for large Model Manager deployments with many connected clients.



10. Updated infrastructure and platform support

New support of Windows 8 & Windows 8.1 along with new 64-bit versions for PTC Creo Elements/Direct Drafting and 2D translators.

© 2014, PTC Inc. All rights reserved. Information described herein is furnished for informational use only, is subject to change without notice, and should not be taken as a guarantee, commitment, condition or offer by PTC. PTC, the PTC logo, Product & Service Advantage, Creo, Elements/Direct, Windchill, Mathcad, Arbortext, PTC Integrity, Servigistics, ThingWorx, ProductCloud and all other PTC product names and logos are trademarks or registered trademarks of PTC and/or its subsidiaries in the United States and other countries. All other product or company names are property of their respective owners.