

Detailing using Creo Parametric

Overview

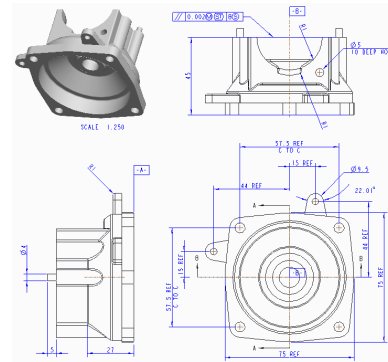
Course Code TRN-3405-T

Course Length 3 Days

Detailing with Creo Parametric is a comprehensive training course that teaches you how to quickly create detailed drawings using information captured within 3-D design models. In this course, you will learn how to create drawings, how to detail drawings, and how to take advantage of the parametric and associative nature of Creo Parametric when configuring drawings.

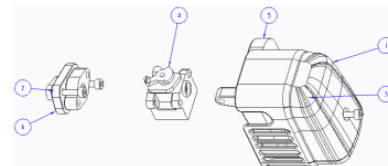
After completing this course, you will be able to create production drawings suitable for manufacturing.

At the end of each module, you will complete a skills assessment. The questions are used to help reinforce your understanding of the module topics and form the basis for review of any topics, if necessary.



Course Objectives

- Understand the drawing development process
- Create new drawings using formats and drawing templates
- Create different types of views in drawings
- Create dimensions and notes
- Control display options using layers
- Apply dimensional and geometric tolerances in drawings
- Add draft geometry and symbols to drawings
- Use layers in drawings to control the display of views and detail items
- Create drawing tables and a bill of materials
- Create drawing formats
- Configure the drawing environment
- Manage large drawings



Prerequisites

- Introduction to Creo Parametric

Audience

- This course is intended for mechanical designers, design engineers, and related roles
-

Agenda

Day 1

Module	1	Introduction to Drawings
Module	2	Creating New Drawings
Module	3	Creating Drawing Views

Day 2

Module	4	Adding Model Details to Drawings
Module	5	Adding Notes to Drawings
Module	6	Adding Tolerance Information
Module	7	Adding Draft Geometry and Symbols

Day 3

Module	8	Using Layers in Drawings
Module	9	Creating and Using Tables in Drawings
Module	10	Using Report Information in Drawings
Module	11	Creating Drawing Formats
Module	12	Configuring the Drawing Environment
Module	13	Managing Large Drawings
