

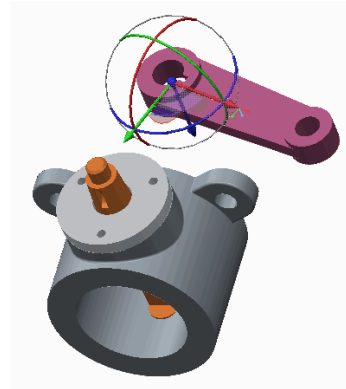
# Update to Creo Parametric 2.0 from Creo Elements/Pro 5.0

## Overview

Course Code TRN-3900-T

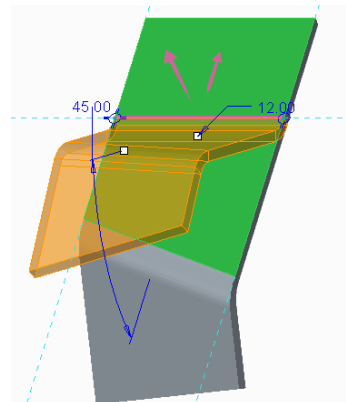
Course Length 1 Öay

In this course, you will learn how to utilize the core functionality enhancements in Creo Parametric 2.0. First, you will become familiar with using and customizing the new ribbon interface in Creo Parametric. The new measure and sectioning interfaces will also be examined. Next, you will become familiar with the Sketcher workflow and reference enhancements. Part modeling enhancements to features such as Extrude, Corner Chamfer, Sweeps, Blends, and Datum Curves will then be examined. You will also learn about new and enhanced Assembly capabilities, such as selecting multiple components, the new relationship constraints, and enhancements for dragging components. Then, you will examine the new Table and Balloon functionality for 2-D drawings, and review various detailing enhancements. Finally, in Sheetmetal mode you will learn to use the many updated Wall, Bend, and Relief tools, as well as the consolidated Flat Pattern tool and configuring Sheetmetal properties., and At the end of each module, you will complete a set of review questions to reinforce critical topics from that module. At the end of the course, you will complete a course assessment in Pro/FICIENCY intended to evaluate your understanding of the course as a whole.



## Course Objectives

- Utilize the Interface enhancements in Creo Parametric
- Utilize the Sketcher enhancements in Creo Parametric
- Utilize the Modeling enhancements in Creo Parametric
- Utilize the Assembly enhancements in Creo Parametric
- Utilize the Drawing enhancements in Creo Parametric
- Utilize the Sheetmetal enhancements in Creo Parametric



## Prerequisites

---

- Introduction to Pro/ENGINEER Wildfire 5.0, or equivalent experience with Pro/ENGINEER Wildfire 5.0 or Creo Elements/Pro 5.0

## Audience

---

- This course is intended for design engineers, mechanical designers, and industrial designers
  - People in related roles can also benefit from taking this course
-

## Agenda

### Day 1

---

Module	1	Interface Enhancements
Module	2	Sketcher Enhancements
Module	3	Part Modeling Enhancements
Module	4	Assembly Enhancements
Module	5	Drawing Enhancements
Module	6	Sheetmetal Enhancements
Module	7	Appendix

---