

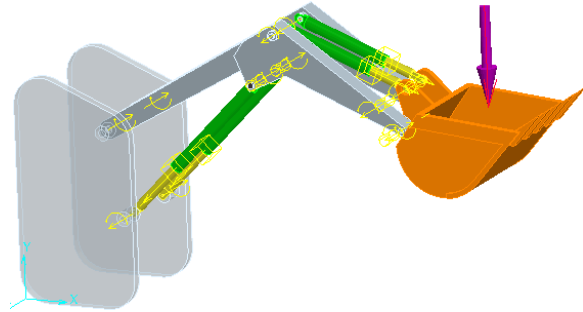
Mechanism Design using Pro/ENGINEER Wildfire 4.0

Overview

Course Code TRN-T2181-T

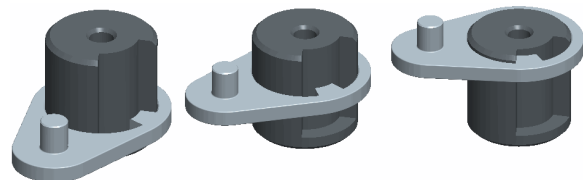
Course Length 1 Day

Mechanism Design using Pro/ENGINEER Wildfire 4.0 is designed for experienced users who want to add motion to their models by creating mechanism connections and servo motors. In Pro/ENGINEER Wildfire 4.0 you can add motion to your models using the standard mechanism functionality, often referred to as the Mechanism Design Extension or MDX. In this course, you will learn about creating mechanism connections, configuring the mechanism model, creating a kinematic analysis, and evaluating results. These topics will enable you to simulate the range of motion between components in your moving assemblies, create gear connections that simulate the gear ratios, create cam connections that enable Pro/ENGINEER parts to "push" other parts they come into contact with, and check for collisions between moving components. After completing this course, you will be prepared to work on mechanism designs using Pro/ENGINEER Wildfire Mechanism Design. Pro/FICIENCY assessments will be provided in order for you to assess your understanding of the course materials. The assessment results will also identify the class topics that require further review. At the end of the class, you will either take an assessment via your PTC University account, or your instructor will provide training on how to do this after the class.



Course Objectives

- Introduction to the Mechanism Design Process
- Creating Mechanism Connections
- Configuring Motion and Analysis
- Evaluating Analysis Results



Prerequisites

- Introduction to Pro/ENGINEER Wildfire 4.0

Audience

- Design engineers, mechanical designers, who have a need to add and evaluate the motion of their assemblies.
-

Agenda

Day 1

Module 1	Introduction to the Mechanism Design Process
Module 2	Creating Mechanism Connections
Module 3	Configuring Motion and Analysis
Module 4	Evaluating Analysis Results
