

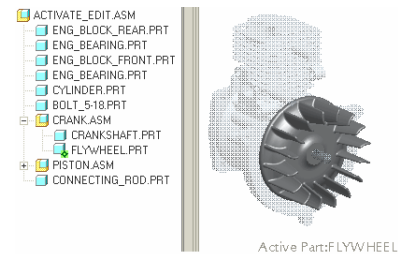
Pro/ENGINEER Wildfire 4.0 Update from Pro/ENGINEER Wildfire 3.0

Overview

Course Code **TRN-2171-T**

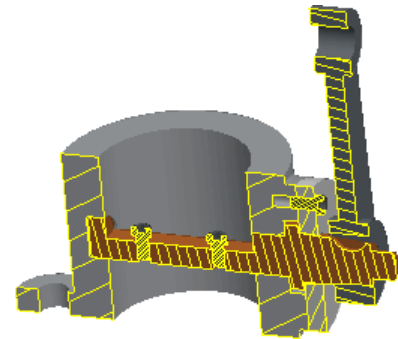
Course Length **1 Day**

In this course you will learn how to utilize many of the enhancements to core functionality in Pro/ENGINEER Wildfire 4.0. You will become familiar with enhancements to Part mode, including Draft, Swept Blends, UDFs and general interface enhancements. You will become familiar with the enhancements to Sketcher, such as referencing intent objects and replacing sketcher references. You will learn about new and enhanced Assembly capabilities such as the Global Reference Manager. You will review Drawing and Sheetmetal enhancements as well.



Course Objectives

- Describe and utilize Part enhancements.
- Describe and utilize Sketcher enhancements.
- Describe and utilize Assembly enhancements.
- Describe and utilize Drawing enhancements.
- Describe and utilize Sheetmetal enhancements.



Prerequisites

- Completion of T1827-350 Pro/ENGINEER Wildfire 3.0 Update from Pro/ENGINEER Wildfire 2.0 or equivalent experience.

Audience

- This course is intended for people who have already upgraded to Pro/ENGINEER Wildfire 3.0.

Agenda

Day 1

Module	1	Part Enhancements
Module	2	Advanced Part Enhancements
Module	3	Sketcher Enhancements
Module	4	Assembly Enhancements
Module	5	Drawing Enhancements
Module	6	Sheetmetal Enhancements
